



## 20A Control Switches



The smooth modern lines of the Define accessory plate will fit easily into traditional and contemporary designs alike.

Define flat plate 20A Control Switches provide large twin earth terminals as standard, which greatly facilitates wiring and installation.

All Define 20A Control Switches are tested and approved to BS EN 60669 offering assured quality and safety.

20A Control Switches

Product Range

Finish Comparison



Brushed Steel (BS)



Black Nickel (BN)



Pearl Nickel (PN)



Polished Chrome (CH)



Stainless Steel (SS)

## 20A Control Switches

### Product Range

#### 'Ingot' 20A Control Switches With Optional Flex Outlet

<b>FP**522##</b>	'Ingot' 20A Double Pole Switch with Flex Outlet
<b>FP**523##</b>	'Ingot' 20A Double Pole Switch with Flex Outlet & Neon

#### 'Ingot' 20A Control Switches Without Flex Outlet

<b>FP**722##</b>	'Ingot' 20A Double Pole Switch
<b>FP**723##</b>	'Ingot' 20A Double Pole Switch with Neon



VPCH522WH



FPBN523BK



FPPN722BK



FPSB723WH

Errors & Omissions excluded. Specification is subject to change without notice. \*\*Denotes Plate Finish, ## Denotes Insert Colour

V1.0

Scolmore International Ltd, 1 Scolmore Park, Landsberg, Lichfield Road Ind. Estate, Tamworth, Staffordshire, B79 7XB

**Telephone:** 01827 63454

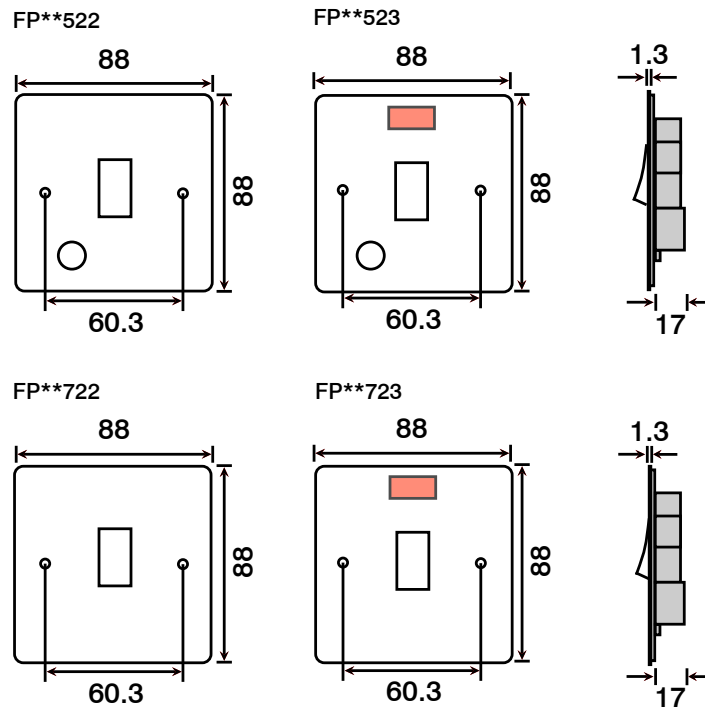
**E-mail:** sales@scolmore.com, technical@scolmore.com

**Facsimile:** 01827 63362

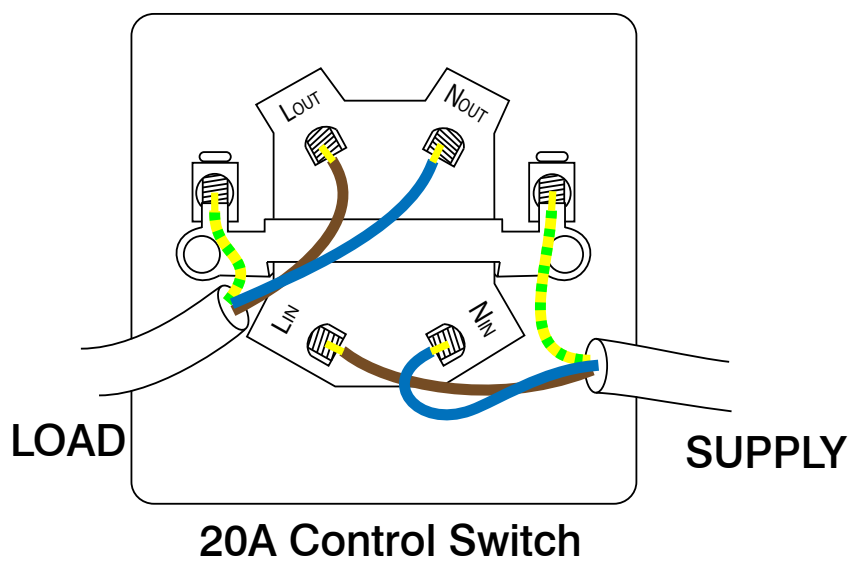
**Website:** www.scolmore.com

**20A Control Switches**

**Product Dimensional Drawings (mm)**



**Wiring Diagram**



Errors & Omissions excluded. Specification is subject to change without notice. \*\*Denotes Plate Finish

V1.0

Scolmore International Ltd, 1 Scolmore Park, Landsberg, Lichfield Road Ind. Estate, Tamworth, Staffordshire, B79 7XB

**Telephone:** 01827 63454

**E-mail:** sales@scolmore.com, technical@scolmore.com

**Facsimile:** 01827 63362

**Website:** www.scolmore.com

**20A Control Switches****Technical Specification****20A Control Switches**

<b>Material Composition</b>	Front Plate: Stainless Steel
	Rear Housing: Nylon & Urea
	Terminals: Brass
	Earth Strap: Mild Steel
	Terminal Screws: Steel & Yellow Passivated
	Silver “on-lay” Copper / Brass Contacts
<b>Voltage</b>	240V~ 50Hz
<b>Current Rating</b>	20A
<b>Terminal Size</b>	5mm ø
<b>Torque Value</b>	1.8Nm
<b>Cable Size</b>	4 x 2.5mm <sup>2</sup>
<b>Double Pole</b>	Yes
<b>Twin Earth</b>	Yes
<b>Back Box Depth</b>	25mm - 47mm
<b>Warranty</b>	10 Years
<b>IP Rating</b>	IP20
<b>Operational Temperature</b>	-5° to +40°C
<b>Standards</b>	The Low Voltage Directive 2006/95/EC BS EN 60669-1:1999 + A1:2002 + A2:2008

**Additional Information**

Ensure that the mains supply is isolated before commencing installation and refer to the circuit diagram with the relevant product.

Bare earth cables must always be covered with appropriate sleeving and wired to the earth terminal.

## DECLARATION OF CONFORMITY

1. *Issuer Name* Scolmore International Limited
2. *Issuer Address* 1 Scolmore Park, Landsberg,  
Lichfield Road Industrial Estate,  
Tamworth, Staffordshire, B79 7XB
3. *Object(s) of Declaration* Define Range
  - a. *Group* 20A Control Switches
  - b. *Model No.* FP-522, FP-523, FP-722, FP-723
4. *The object of the declaration described above is in conformity with the requirements of the following Legislations:*

Document No	Title
2006/95/EC	Low Voltage Directive

5. *All products contained within the aforementioned comply with the relevant standards and requirements listed below.*

EN 60669-1:1999 + A1:2002 + A2:2008

6. *I hereby declare that the equipment named above has been designed to comply with the relevant sections of the above referenced specifications. The unit complies with all applicable Essential Requirements of the Directives.*

*In conjunction with the above all manufacture and process controls are in accordance with ISO 9001:2008*

Signed, for and on behalf of: Scolmore International Limited



Steven Bettson BSc - Senior Technical Support Engineer

# CE 13